

HEAT & GLO™

No one builds a better fire



DESIGNED | to inspire

130 SERIES BALANCED FLUE GAS FIREPLACES

FRONT AND SURROUND OPTIONS



COSMO-I30 with HALO Front
 HALO convex proud front available in Black or Fog Grey with 3 or 4 sided surround. The HALO Front is only available for the COSMO-I30 unit.



COSMO-I30 with MARTINI Front
 MARTINI front available in Graphite, Fog (Grey), Lava (red) or Ebony (black) with 3 or 4 sided surround. The MARTINI Front is available for both SUPREME-I30 and COSMO-I30 units.



COSMO-I30 with LINEAR Front
 LINEAR front (proud mount) available in Black only with 3 or 4 sided surround. The LINEAR Front is available for both SUPREME-I30 and COSMO-I30 units.



SUPREME-I30 with LINEAR Front
 LINEAR front (proud mount) available in Black only with 3 or 4 sided surround. The LINEAR Front is available for both SUPREME-I30 and COSMO-I30 units.



COSMO-I30 with DF Front
 DF Standard front (flush mount) available in Black only with 3 sided surround. The DF Front is available for both SUPREME-I30 and COSMO-I30 units.



SUPREME-I30 with DF Front
 DF Standard front (flush mount) available in Black only with 3 sided surround. The DF Front is available for both SUPREME-I30 and COSMO-I30 units.

A RANGE OF FLAT TRIM OPTIONS ARE ALSO AVAILABLE FOR THE DF STANDARD FRONT

- 50mm Black trim for stone or brick only
- 100mm 3 and 4 sided BLACK and STAINLESS STEEL trims
- Trim for Cast Iron Fascia
- Custom made 3 and 4 sided BLACK and STAINLESS STEEL trims



100mm 3 sided BLACK trim COSMO-I30



100mm 3 sided Stainless Steel trim SUPREME-I30



100mm 4 sided BLACK trim SUPREME-I30



100mm 4 sided Stainless Steel trim COSMO-I30

HOW TO SELECT YOUR GAS FIREPLACE

IF IT'S A NEW CONSTRUCTION

Refer to the Hebel Installation Specifications

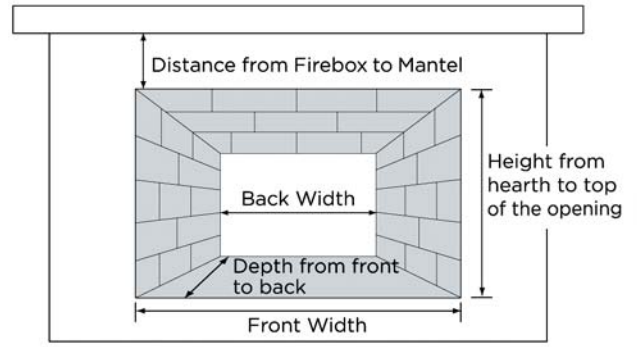
OTHERWISE



STEP 1 MEASURE YOUR EXISTING FIREPLACE

We'll need the height, width and depth of the existing fireplace opening to ensure that the insert will fit.

STEP 2 CHOOSE YOUR INSERT



COSMO-130AU

- Customise with glass media or pebbles



SUPREME-130AU

- Available with logs only

STEP 3 CHOOSE YOUR SURROUND

To bring a finished and polished look to your new insert, you need a matching metal surround to cover the gap between the insert and your existing fireplace opening.



SURROUND SIZES

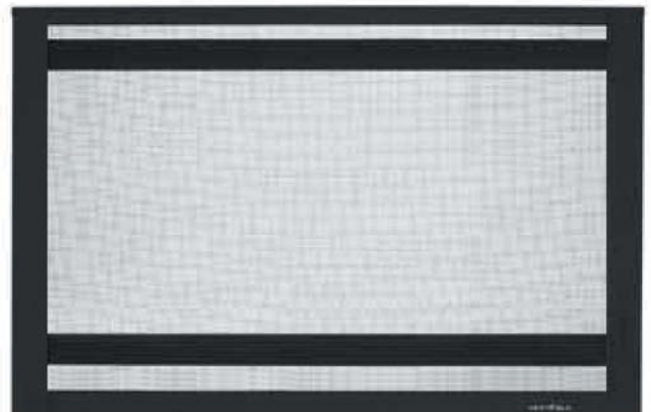
3 SIDED: DF/Linear/Martini/Halo	1020 x 690mm (overall)
4 SIDED: Linear/Halo	1020 x 890mm (overall)
4 SIDED: Martini	1020 x 815mm (overall)

STEP 4 FINISH WITH A FRONT*

Complete your insert with a stylish front, available in a range of designs and finishes.



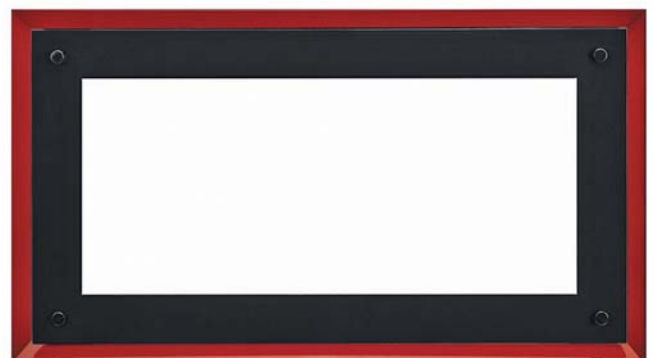
LINEAR



DF



HALO (For COSMO-130 only)

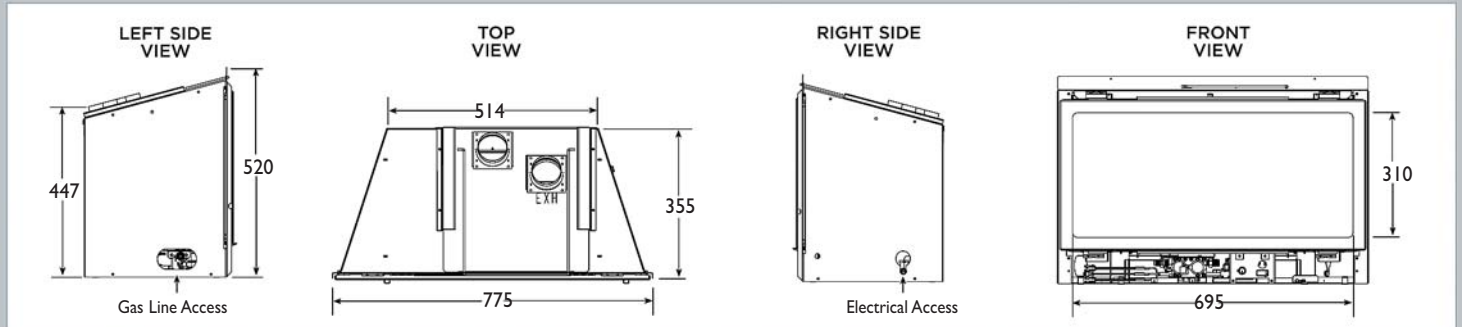


MARTINI

*Please Note that there is a significant difference in fan air circulation between the various fronts. The Halo and the Martini limit the perceived fan air circulation, although heat is still produced efficiently.

SUPREME-I30AU & COSMO-I30AU Specifications

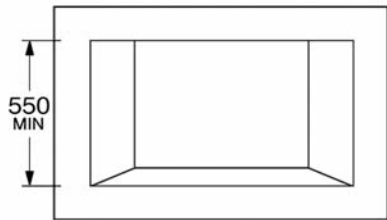
MODEL	FRONT WIDTH		BACK WIDTH		HEIGHT		DEPTH		VIEWING AREA	mj/h (NG)
	UNIT	MIN. FIREBOX OPENING	UNIT	MIN. FIREBOX OPENING	UNIT	MIN. FIREBOX OPENING	UNIT	MIN. FIREBOX OPENING		
SUPREME-I30 COSMO-I30	775	745	514	520	520	485	355	360	695 x 310	31.9 mj/h 26.5 mj/h



Dimensions above are in millimetres and for reference only. We recommend measuring individual units at installation.

Refer to installation manual for detailed specifications on installing this product. Heat & Glo reserves the right to update units periodically. The flame and ember appearance may vary based on the type of fuel burned and the venting configuration used. Photos in this brochure may vary in colour and dimension (size) from the actual product.

MINIMUM FIREPLACE OPENING



WIDTH: 750mm with std. surround, 800mm with flush trim
DEPTH: 360mm with std. surround, 400mm with flush trim

ADDITIONAL OPTIONS: Create a unique focal point in your home with these media options

SUPREME LOGS



COSMO MEDIA OPTIONS



Black Glass Crystal Glass Cobalt Glass Amber Glass Black Glass Beads White Glass Beads Ceramic Fibre Stones

INTELLIFIRE PLUS IGNITION SYSTEM AND WIRELESS CONTROLS



The IntelliFire Plus Ignition System is an "intelligent" control system providing energy conservation and the comfort of a roaring fire, all at your fingertips! IntelliFire Plus features intermittent-

pilot ignition (IPI) allowing you to conserve fuel and money when the fireplace is not in use. In addition, the system offers seamless transition from AC to battery backup in a power outage, as well as built-in safety features and memory settings. Lastly, our new IntelliFire Plus remote control provides stylish and fully featured benefits that make controlling your heat easier than ever.

INTELLIFIRE PLUS RC300

Incorporates an LCD screen, intuitive menus and large control buttons in a sleek and modern design. This wireless control gives you the flexibility to use as a remote only or a mount on the wall anywhere in the room.

MODEL: RC300-HNG

Features: Auto Battery Backup, Pilot Activation, On/Off, Flame Height, Fan Speed, Room Temperature Readout, Thermostat Mode, Timer Mode, Child Lock, Wall Docking Station.



SUPREME-I30AU & COSMO-I30AU Approval No: GSCS20181

For further information contact your nearest
Jetmaster Heat & Glo showroom

NSW Arncliffe 02 9597 7222
NSW Castlecrag 02 9958 1777
NSW Castle Hill 02 9680 7279
NSW Mittagong 02 4872 2234
NSW Newcastle 02 4952 9299
EMAIL sales@jetmaster.com.au

QLD Zillmere 07 3263 4955
VIC Richmond 03 9429 5573
SA Adelaide 08 8371 1222
WA Perth (Fireplace Corner)
08 9228 2600
WEB www.jetmaster.com.au

HEAT & GLO
No one builds a better fire

